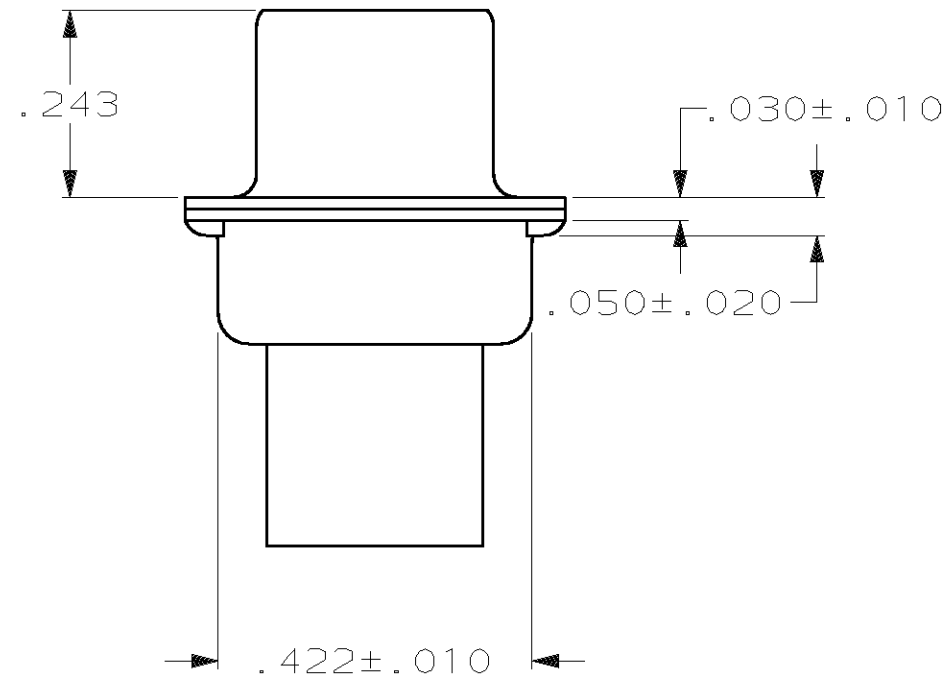
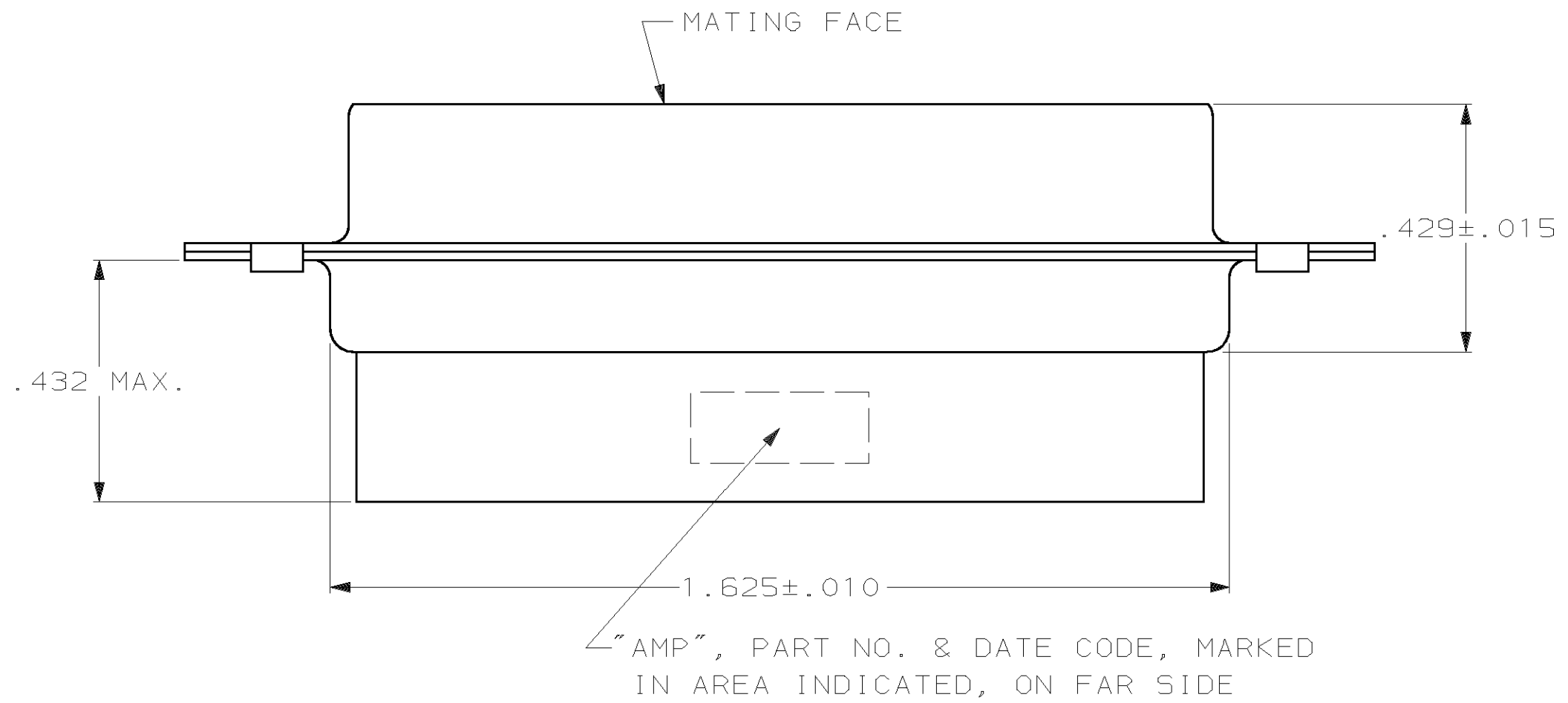
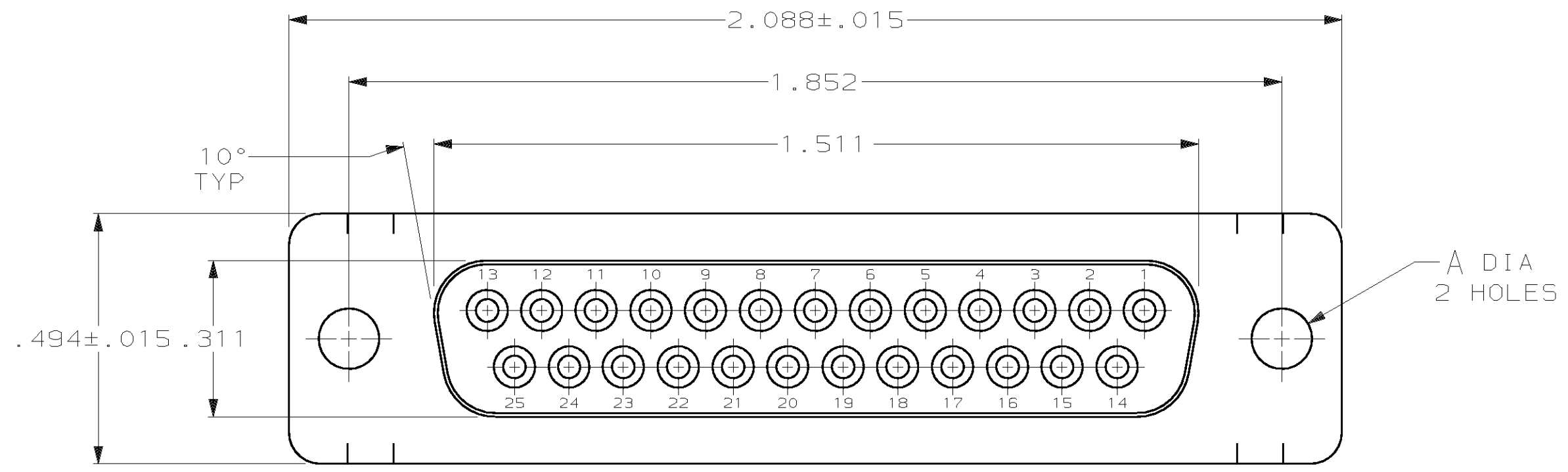


THIS DRAWING IS UNPUBLISHED. RELEASED FOR PUBLICATION, 19 .
 © COPYRIGHT 19 BY AMP INCORPORATED. ALL INTERNATIONAL RIGHTS RESERVED.

| LOC | | DIST | | REVISIONS | | | | |
|-----|----|------|---|-----------|-----|-----------------------------|---------|------|
| GP | 00 | P | F | ZONE | LTR | DESCRIPTION | DATE | APPD |
| | | | | | D | REVISED PER EC 0513-0023-03 | 14MAY03 | JG |



- CONNECTOR ACCEPTS SIZE 20 DF SOCKET CONTACTS, RETENTION TINES ARE AN INTEGRAL PART OF INSERT.
- CONNECTOR COMPLIES WITH 108-40005 WHERE APPLICABLE.
- NYLON, FLAME RETARDANT, 94V-0 RATED, GLASS FILLED, BLACK.
- STEEL PER ASTM A109.
- TIN OR TIN-LEAD PLATED PER MIL-T-10727.
- TIN PLATED PER MIL-T-10727 OVER COPPER PER MIL-C-14550.

| OBSELETE | SMALL PACK | △6 | .120 | 207463-4 |
|----------|----------------|--------------|------|----------|
| OBSELETE | STANDARD | △5 | .154 | 207463-2 |
| | STANDARD | △6 | .120 | 207463-1 |
| | PACKAGING TYPE | SHELL FINISH | A | PART NO |

| | | | | |
|---|--|--|--------------------|------------------------|
| DO NOT SCALE PRINT. UNLESS SPECIFIED DIMENSIONS IN INCHES TOLERANCES ON : 2 PLC DEC ± - 3 PLC DEC ± .005 ANGLES ± 2° | DR 7-19-85 S.WELDON CHK 7-29-85 J.GERACE APPD 7-29-85 L.BREKOSKY APPD 7-31-85 V.KUMAR | AMP Incorporated Harrisburg, PA 17105-3608 | | |
| MATERIAL MOLDED PARTS: △3 SHELLS: △4 | PRODUCT SPEC - | NAME RECEPTACLE CONNECTOR, SIZE 3, 25 POSITION, AMPLIMITE™ HDP | | |
| FINISH SHELLS: SEE TABLE | APPLICATION SPEC - | SIZE C | CAGE CODE 00779 | DRAWING NO C=207463 |
| | WEIGHT - | SCALE 4:1 | SHEET 1 OF 1 | |

THIS DRAWING IS A CONTROLLED DOCUMENT FOR AMP INCORPORATED. IT IS SUBJECT TO CHANGE AND THE CONTROLLING ENGINEERING ORGANIZATION SHOULD BE CONTACTED FOR THE LATEST REVISION.